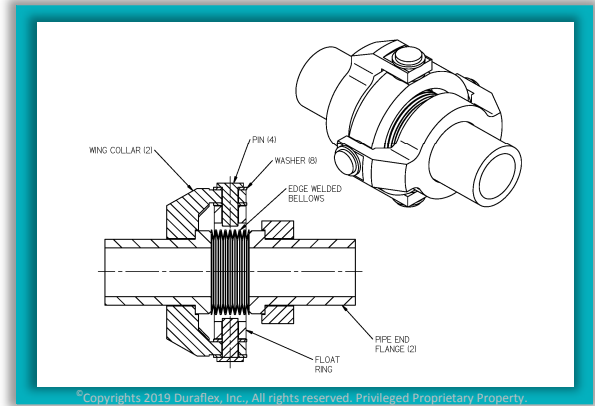
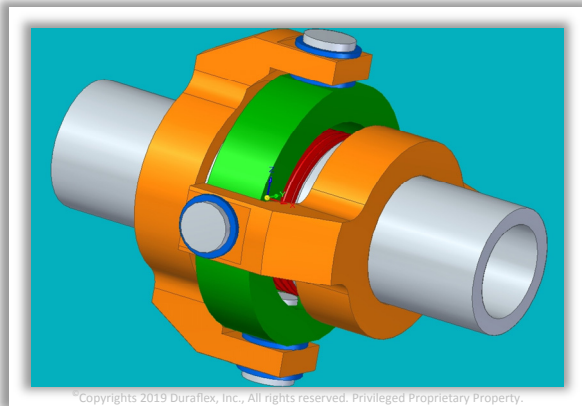


G-FLEX GIMBAL JOINT BELLOWS™

Specially designed for each Aerospace critical application!

Aerospace components must adhere to the strictest level of standards associated within the manufacturing industry. As an unparalleled supplier to known aerospace companies, **Duraflex, Inc.**'s is founded on high-tech engineering & design, dependability, quality management, safety control coupled with curious innovation. The materials & manufacturing techniques used by **Duraflex, Inc.** guarantee our customers receive lasting aerospace quality products that are safe & competitively priced.



WHAT MAKES G-FLEX GIMBAL JOINT BELLOWS™ SPECIAL

This float ring gimbal is a true universal gimbal joint providing the angle motion in any orientation / direction rather than just one plane.

- **Sizes:** .5" - 8" (Based on adjacent tube OD)
- **Internal Pressures:** Up to 5,000 psi
- **Gimbal Angles:** 8 degrees to 45 degrees
- **Spring Rate:** Low, dependent on design.
- **Constraints:** Mechanical stops can be integrated into design to limit angular motion if required.
- **Operational Temperatures:** Cryogenic to 1500° F
- **Materials:** Aluminum, AM350, Inconel 718, Stainless Steel (300 Series), Titanium

G-FLEX GIMBAL JOINT BELLOWS™ BENEFITS

- **Prevents Torsion / Twisting** of a typical flex joint
- **Eliminates Pressure Thrust Forces**
- **Allows for Angular Motion** in any plane
- **Flexible Designs** can "design in" motion constraints
- **Large Movements** for small flex footprint
- **Proven Technology**

CONTACT Us: 877.462.1007 | www.duraflexinc.com | info@duraflexinc.com

**American
Engineered**

**American
Materials**



**American
Made**

**American
Tested**

AS9100D |
ISO 9001:2015