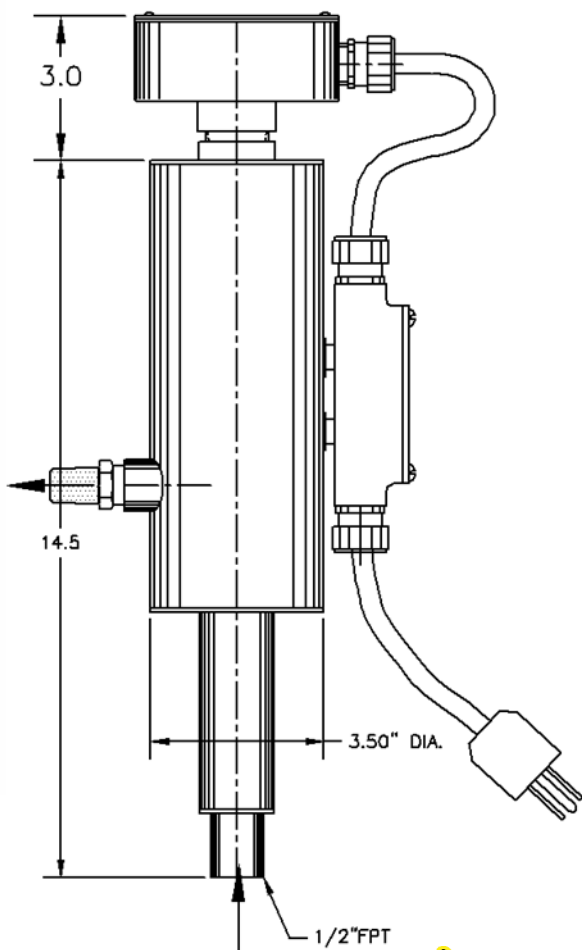


DF1300 VAPER VENT HEATER™

DURAFLEX, INC SPECIALTY PRODUCTS

Duraflex, Inc.'s **DF1300 Vapor Vent Heater™** is designed for installation on the outlet of any mechanical vapor vent to warm the exhaust gas to room temperature; eliminating condensation & ice on piping. Our products are designed to perform by an experienced team of professionals following stringent procedures upheld by AS9100D/ISO 9001:2015 standards.



Features

- Installs on the Outlet of any Liquid Nitrogen Keepfull Device
- Eliminates Ice Formation on Vent Piping
- Eliminates Need for Insulation on Vent Piping
- No More Condensate Drip on Floors & Ceiling Tiles

Technical Data

- 110 Vac / 375 Watts (or) 220 Vac / 375 Watts
- 500 Watts Option
- Line Cord Provided
- Over Temp Switch Provided
- 1/2" FPT Inlet & Outlet

Safety Accessory*

- Heat Guard DF-100-HS



*** IMPORTANT NOTICE—TO AVOID INJURY!**

Duraflex, Inc. strongly recommends the DF100-HS Heater Guard be purchased & installed with the DF1300 Heater.

DURAFLEX, INC. ADVANTAGES

AS9100D |
ISO 9001:2015

- Standard Products In-stock
- AS9100D | ISO 9001:2015
- Custom Orders Available
- Cost Competitive...always!
- No Minimums

- Professional Appearance
- Short Lead Times
- Engineered Drawings
- American Made
- American Materials

